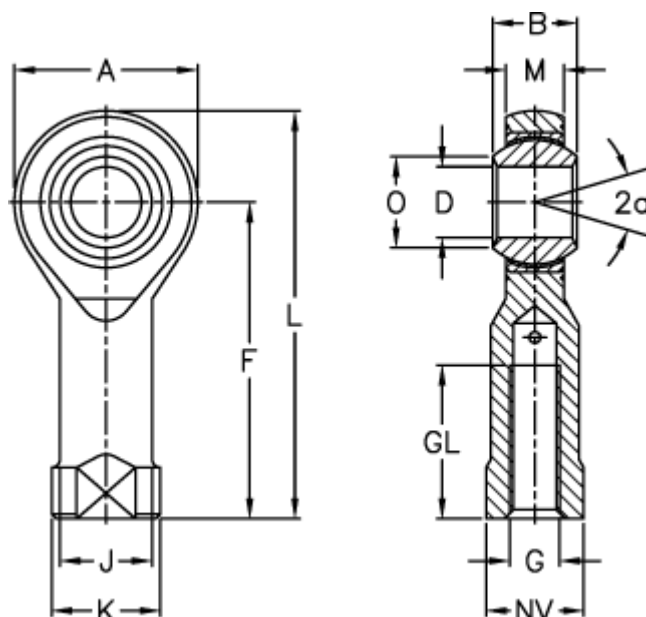


Article number: 54301512

Description: LDK Rod end PHS 12EC

Measures



| | | | |
|---------------------|--------|---------------------|---------|
| A | = 30 | J | = 17.5 |
| a (degrees) | = 13 | K | = 22 |
| B | = 16 | L | = 65 |
| D | = 12 | M | = 12.00 |
| Dynamic load C (kN) | = 13.5 | NV | = 19 |
| F | = 50 | O | = 15.4 |
| g | = M12 | Static load C0 (kN) | = 25.6 |
| GL | = 24 | Weight (g) | = 107 |